



# UCG 165

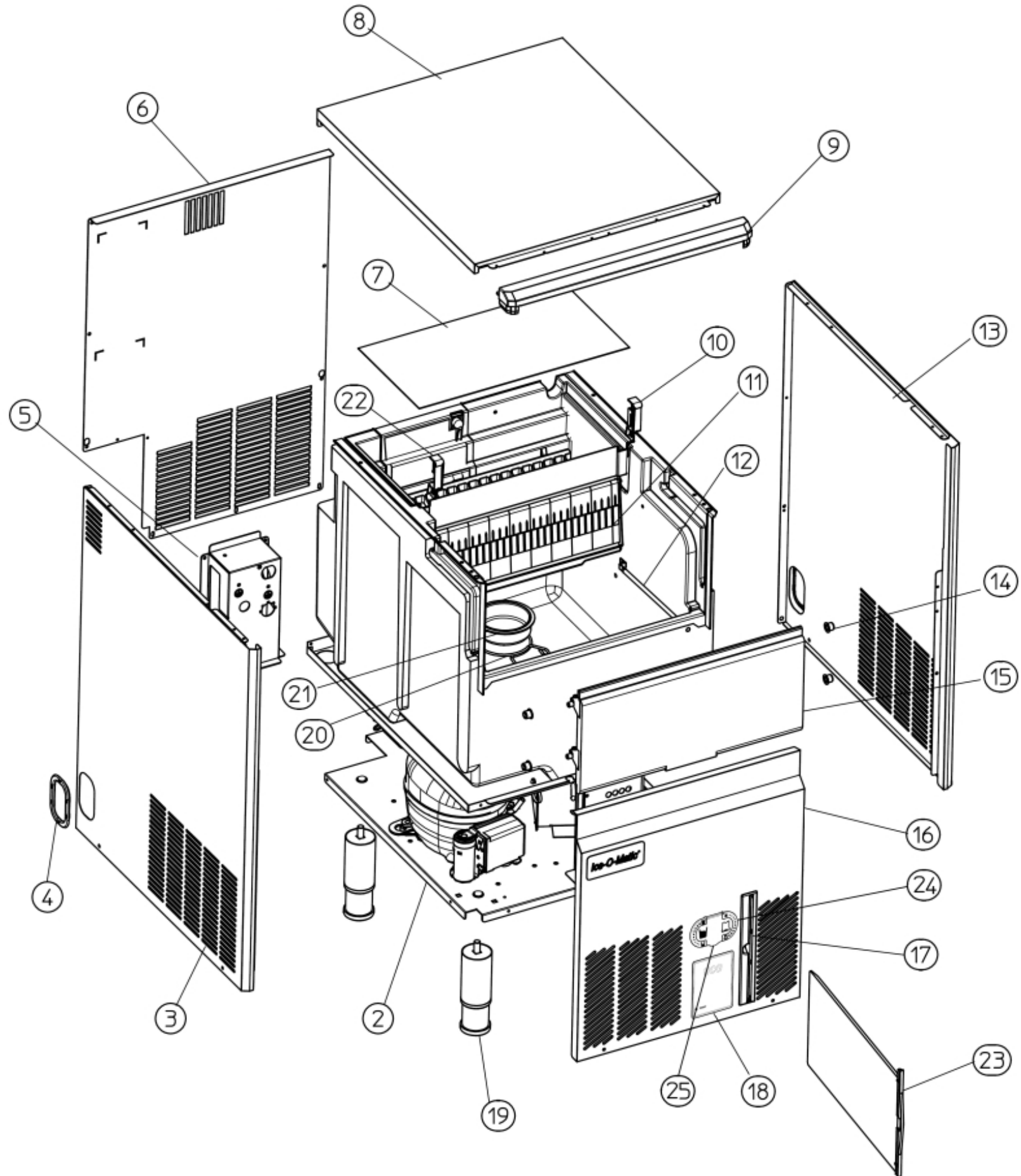
## SPARE PARTS LIST

**R134a version**

**ICE-O-Matic  
11100 East 45th Ave  
Denver, Colorado 80239**

**REV. 11/2020**

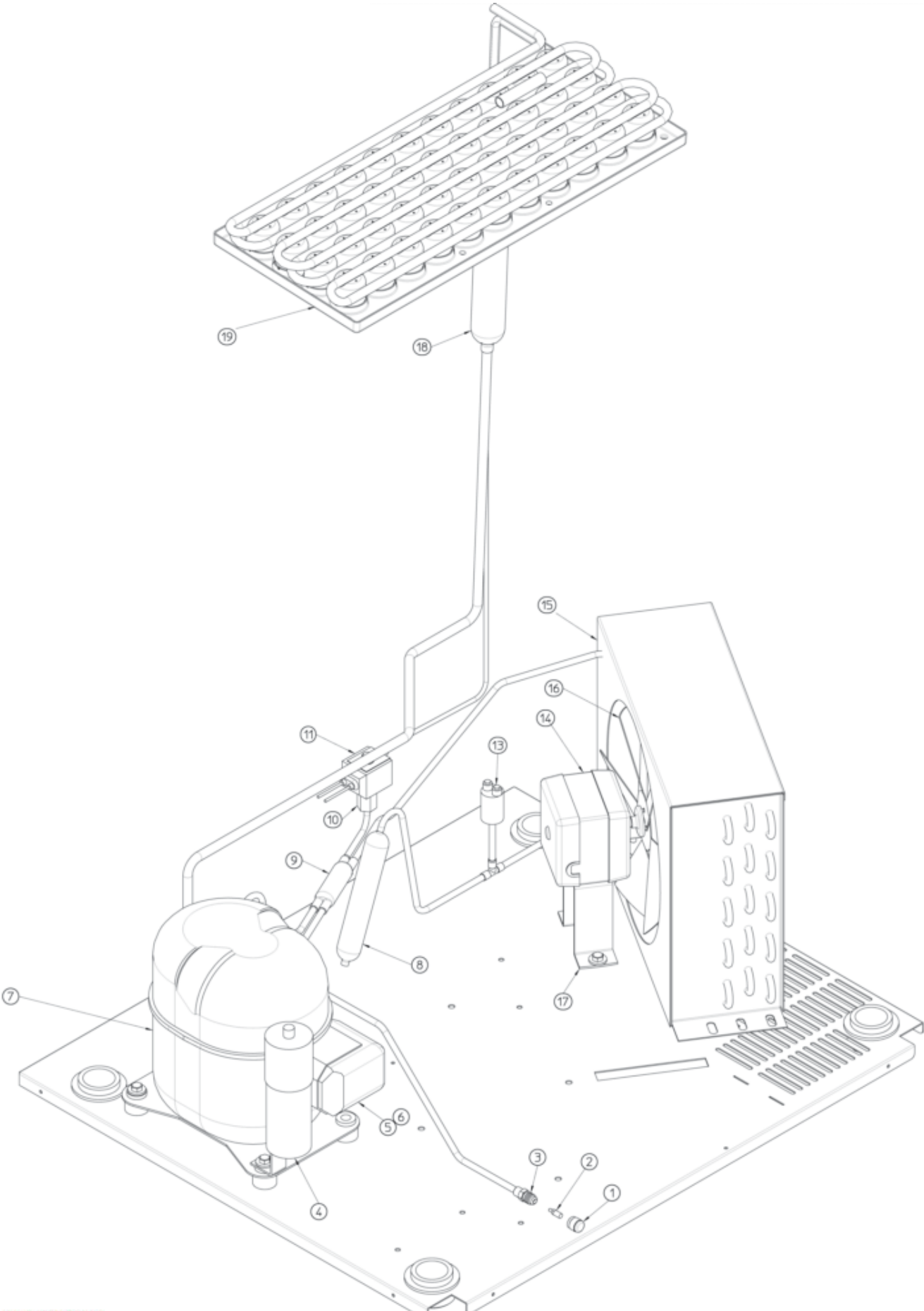
- 1 UNIT PANELS
- 2 REFRIGERANT SYSTEM – AIR COOLED
- 3 REFRIGERANT SYSTEM – WATER COOLED5
- 4 WATER SYSTEM
- 5 CONTROL BOX



**UNIT PANELS**

Pos	Code	Description
2	SC702743 01	BASE
3	SC726049 00	LEFT SIDE PANEL
4	SC661070 00	PLASTIC PROTECTION
5	SC702705 00	WATER HOOK UP PANEL
6	SC702688 00	REAR PANEL
7	SC742033 07	EVAPORATOR COVER
8	SC726051 00	TOP PANEL ASSY
9	SC661252 02	FRONT TRIM
10	SC660388 00	CURTAIN BRACKET (RIGHT)
11	SC784457 15R	CURTAIN ASSY
12	SC732017 01	BULB HOLDER
13	SC726048 00	RIGHT SIDE PANEL
14	SC660286 00	BUSHING
15	SC661220 02	GRAY DOOR RAL 7075
16	SC726050 00	FRONT PANEL-AIR COOLED VERSION
16	SC726050 01	FRONT PANEL-WATER COOLED VERSION
17	SC660804 03	AIR FILTER SEAT
18	SC651774 00	LABEL
19	SC651469 00	LEG
20	SC460047 00	SPRING
21	SC660741 00	PLASTIC PLUG
22	SC660388 01	CURTAIN BRACKET (LEFT)
23	SC660805 04	AIR FILTER
24	SC661092 07	PLASTIC HOUSING
25	SC661092 07	PLASTIC COVER

**REFRIGERANT SYSTEM – AIR COOLED**

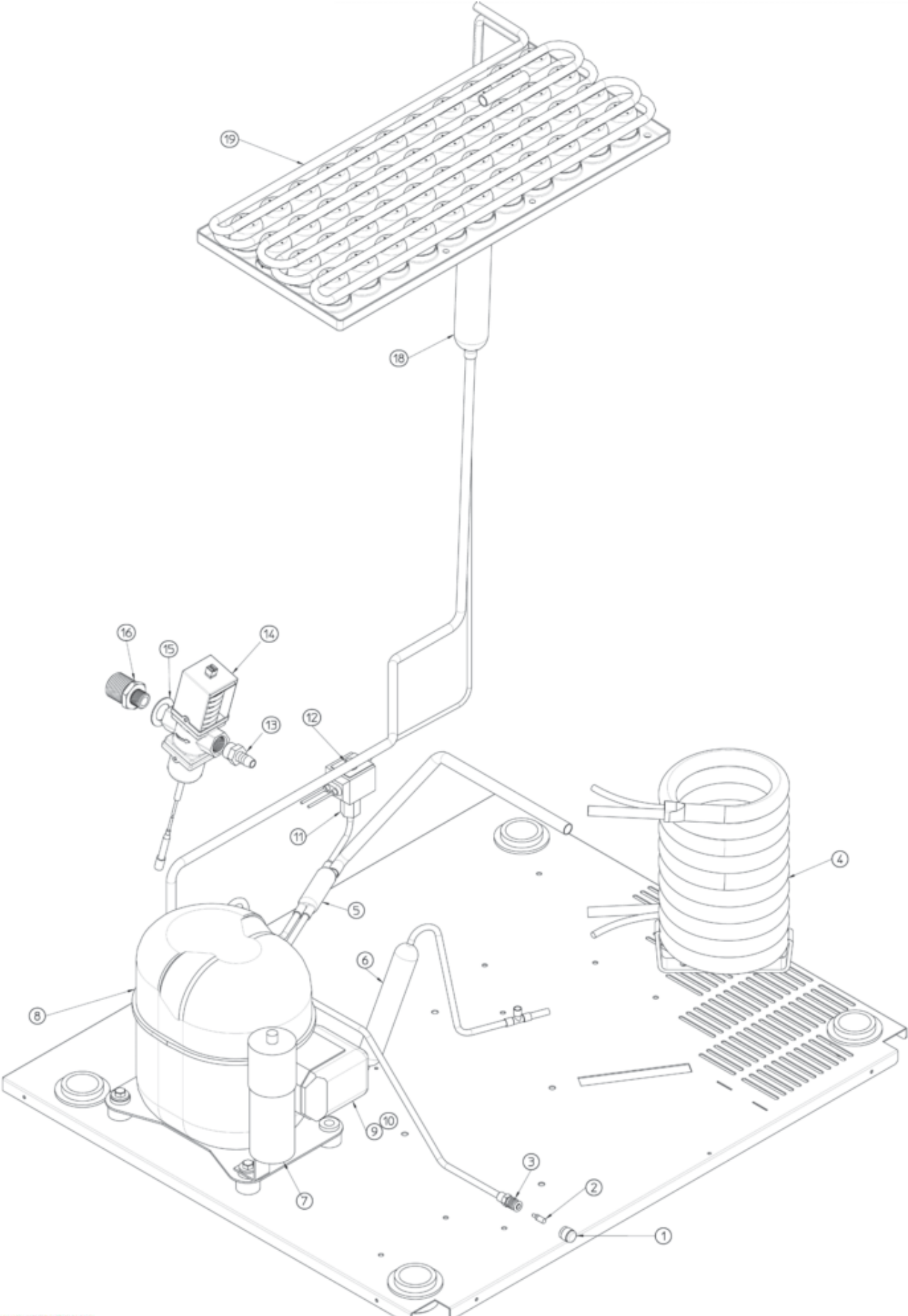




## REFRIGERANT SYSTEM – AIR COOLED

Pos	Code	Description
1	SC650106 00	CAP
2	SC670012 00	VALVE CORE
3	SC650109 00	VALVE BODY
4	SCCUB 102665	START CAPACITOR - 230/50/1
5	SCCUB 102196	PROTECTOR - 230/50/1
6	SC620057 70	RELAY
6	SCCUB 405181	RELAY - 230/50/1
7	SC670100 21	COMPRESSOR GX21TB 220-240/50/1
8	SC630003 03	FILTER
9	SC630137 01	MECHANICAL FILTER
10	SC620306 27	HOT GAS VALVE BODY
11	SC620306 48	HOT GAS VALVE COIL
13	SC620499 00	PRESSOSTAT 061F 8540
14	SC620419 04	FAN MOTOR ATEX
15	SC620550 00	CONDENSER, AIR
16	SC620419 32	BLADE
17	SC620419 62	BRACKET
18	SC784444 42	SUCTION LINE ASSY
19	SC784477 08	EVAPORATOR ASSY

**REFRIGERANT SYSTEM – WATER COOLED**



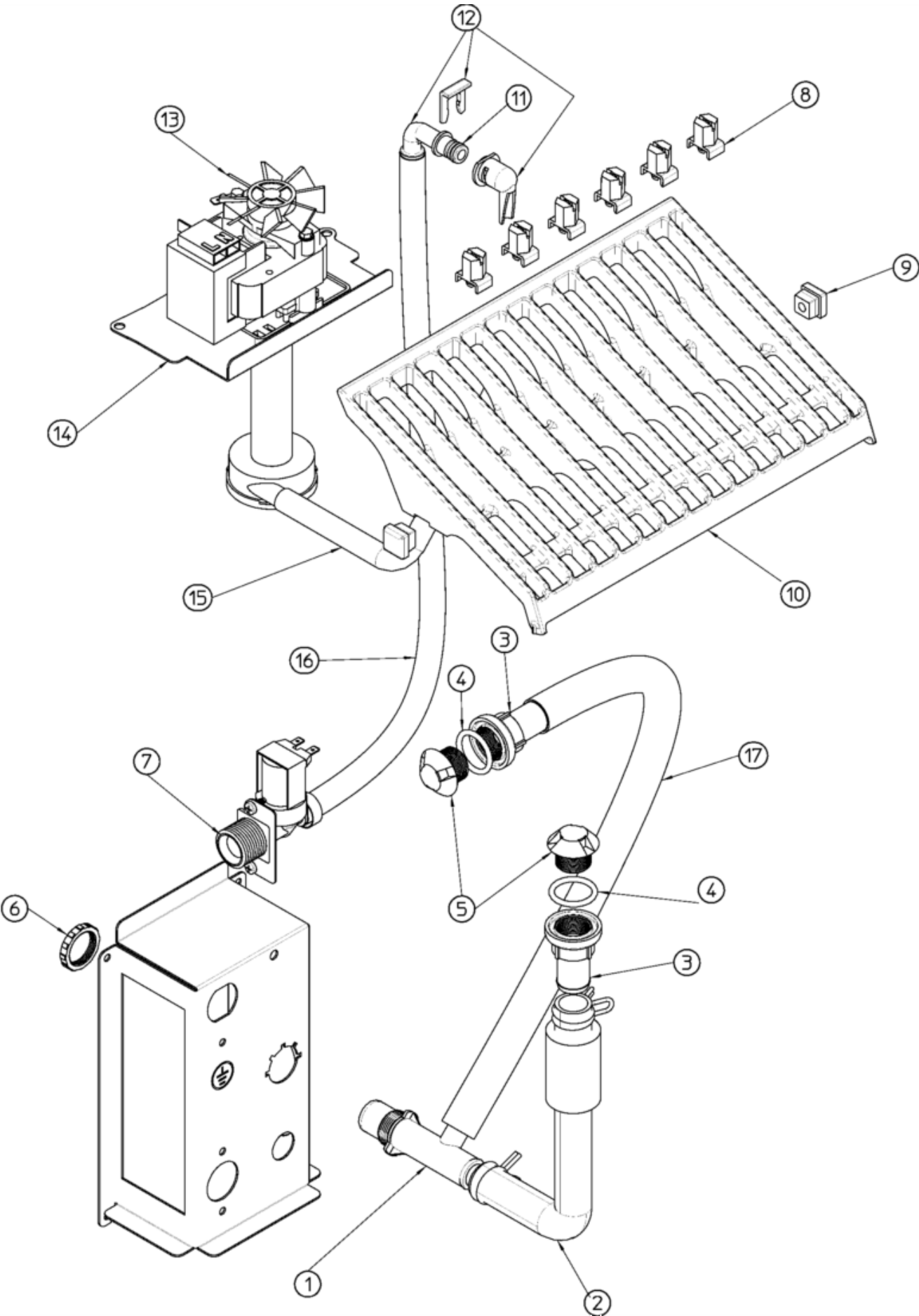


## REFRIGERANT SYSTEM – WATER COOLED

Pos	Code	Description
1	SC650106 00	CAP
2	SC670012 00	VALVE CORE
3	SC650109 00	VALVE BODY
4	SC620389 01	WATER COOLED CONDENSER
5	SC630137 01	MECHANICAL FILTER
6	SC630003 03	FILTER
7	SCCUB 102665	START CAPACITOR - 230/50/1
8	SC670100 21	COMPRESSOR GX21TB 220-240/50/1
9	SC620057 70	RELAY
9	SCCUB 405181	RELAY - 230/50/1
10	SCCUB 102196	PROTECTOR - 230/50/1
11	SC620306 27	HOT GAS VALVE BODY
12	SC620306 48	HOT GAS VALVE COIL
13	SC733208 02	COUPLING
14	SC620111 00	WATER REGUL. VALVE
15	SC400031 01	WASHER
16	SC733205 04	WATER INLET FITTING
18	SC784444 42	SUCTION LINE ASSY
19	SC784477 08	EVAPORATOR ASSY



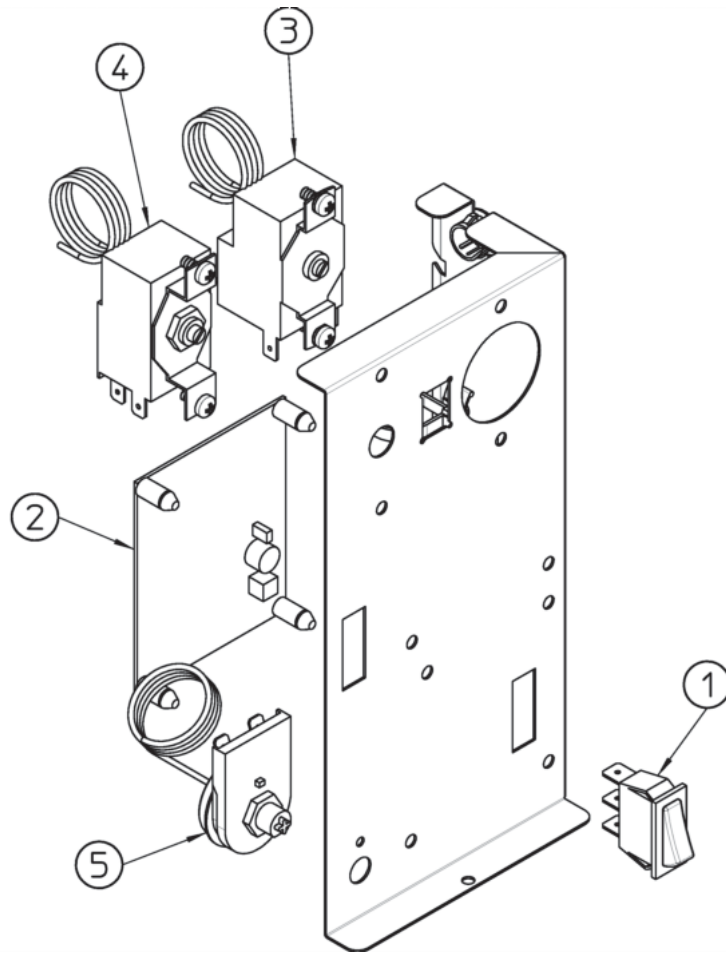
**WATER SYSTEM**



**WATER SYSTEM**

Pos	Code	Description
1	SC660224 00	TEE TUBE
1	SC660993 00	FITTING
2	SC610148 10	TUBE
3	SC660219 02	DRAIN FITTING
4	SC640134 00	O RING
5	SC660211 01	DRAIN FILTER
6	SC660535 00	PLASTIC NUT
7	SC650105 52	WATER INLET VALVE
8	SC660558 00R	SPRAY NOZZLE (10 PCS)
9	SC660557 00	SPRAY CUP
10	SC661082 02	SPRAY BAR & CHUTE
11	SC640041 31	O RING OR 2031 (WRAS-FDA)
12	SC793172 00R	WATER INLET ASSY
13	SC620430 09R	WATER PUMP 230/50/1
14	SC724485 01	METAL BRACKET
15	SC610231 00	WATER TUBE
16	SC281900 01	TUBE 16X10
17	SC610170 00	TUBE

# CONTROL BOX





## CONTROL BOX

Pos	Code	Description
1	SC620442 02	SWITCH
2	SC620507 02	TIMER
3	SC620201 01	EVAPORATOR THERMOSTAT
4	SC630005 00	BIN THERMOSTAT
5	SC620599 00	SAFETY THERM.